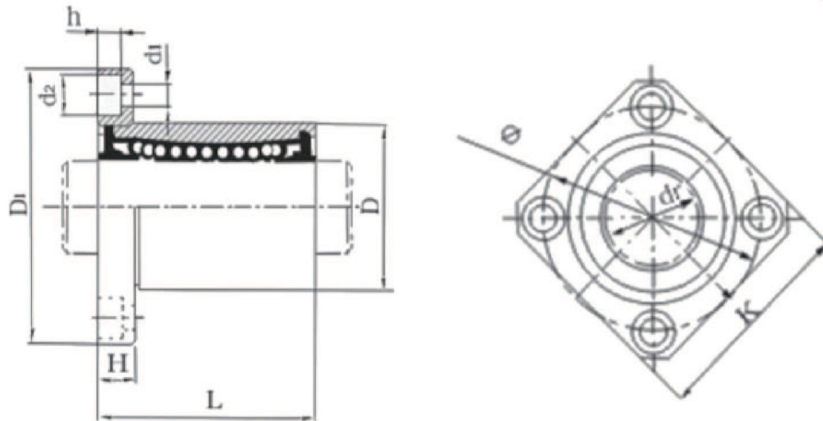


# Square Flange Type LMK\_UU



MODEL	NUMBER OF BALL ROWS	MAIN DIMENSIONS													SQUARENESS	ECCENTRICITY [MAX.]	BASIC LOAD RATING		WEIGHT [kg]
		INSCRIBED CIRCLE DIAMETER		OUTER DIAMETER		LENGTH		FLANGE				HOLE FOR ATTACHMENT					DYNAMIC C[kgf]	STATIC Co[kgf]	
		dr	TOLERANCE	D	TOLERANCE	L	TOLERANCE	D1	K	H	φ	d1	d2	h					
LMK6UU	4	6	0 -0.009	12	0 -0.011	19	0 -0.2	28	22	5	20	3.5	6	3.1	0.012	0.012	21	27	0.017
LMK8UU	4	8	0 -0.009	15	0 -0.011	24	0 -0.2	32	25	5	24	3.5	6	3.1	0.012	0.012	28	40	0.027
LMK10UU	4	10	0 -0.009	19	0 -0.013	29	0 -0.2	40	30	6	29	4.5	7.5	4.1	0.012	0.012	38	56	0.047
LMK12UU	4	12	0 -0.009	21	0 -0.013	30	0 -0.2	42	32	6	32	4.5	7.5	4.1	0.012	0.012	52	80	0.53
LMK13UU	4	13	0 -0.009	23	0 -0.013	32	0 -0.2	43	34	6	33	4.5	7.5	4.1	0.012	0.012	52	80	0.64
LMK16UU	5	16	0 -0.009	28	0 -0.013	37	0 -0.2	48	37	6	38	4.5	7.5	4.1	0.012	0.012	79	120	0.102
LMK20UU	5	20	0 -0.01	32	0 -0.016	42	0 -0.2	54	42	8	43	5.5	9	5.1	0.015	0.015	90	140	0.12
LMK25UU	6	25	0 -0.01	40	0 -0.016	59	0 -0.3	62	50	8	51	5.5	9	5.1	0.015	0.015	100	160	0.272
LMK30UU	6	30	0 -0.01	45	0 -0.016	64	0 -0.3	74	58	10	60	6.6	11	6.1	0.015	0.015	160	280	0.34
LMK35UU	6	35	0 -0.012	52	0 -0.019	70	0 -0.3	82	64	10	67	6.6	11	6.1	0.02	0.02	170	320	0.496
LMK40UU	6	40	0 -0.012	60	0 -0.019	80	0 -0.3	96	75	13	78	9	14	8.1	0.02	0.02	220	410	0.773
LMK50UU	6	50	0 -0.012	80	0 -0.019	100	0 -0.3	116	92	13	98	9	14	8.1	0.02	0.02	390	810	1.72
LMK60UU	6	60	0 -0.015	90	0 -0.022	110	0 -0.3	134	106	18	112	11	17.5	10.8	0.025	0.025	480	1020	2.25